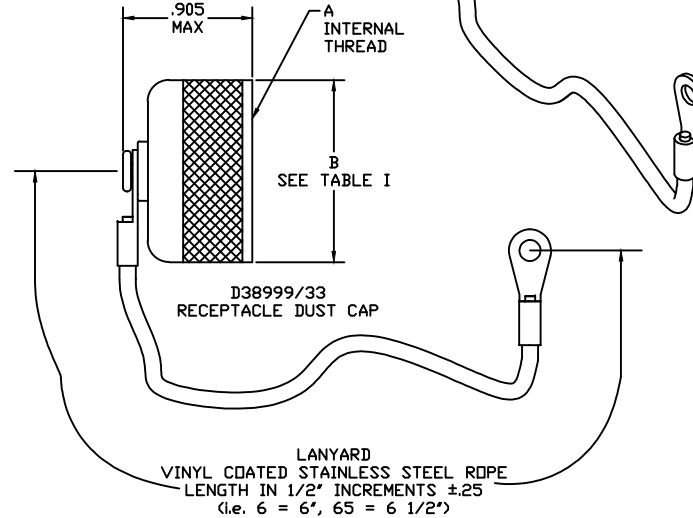
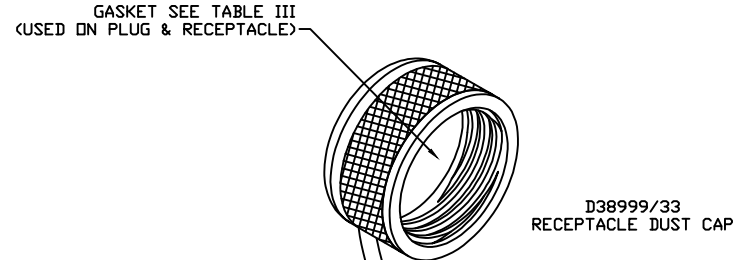
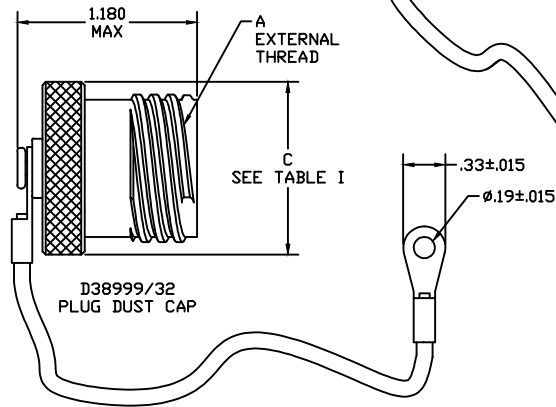
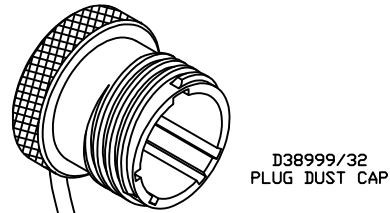


NOTES:

1. SEE TABLE I FOR SIZE & DIMENSIONS.
2. SEE TABLE II FOR MATERIAL & FINISH.
3. SEE TABLE III FOR GASKET MATERIAL.
4. CROSSHATCH KNURL OR RIDGES AT MFG OPTION.
5. CONNECTORS SHALL CONFORM TO ALL INTERMATABILITY AND APPLICABLE PERFORMANCE REQUIREMENTS AS SET FORTH BY MIL-DTL-38999
6. DRAWING IS SUPPORTED BY ELECTRONIC SOLID MODEL, DRAWING IS NOT FULLY DIMENSIONED.

REVISION HISTORY			
REV	DESCRIPTION	DATE	APPROVED



PART NUMBER BREAKOUT:

F 38999-32 E 9 S 65

FILCONN _____
MIL SPEC _____
MATERIAL & FINISH _____
SHELL SIZE _____
GASKET MATERIAL _____
LANYARD LENGTH _____
(65 = 6.50')

DRAWN: D. DAVIS	DATE: 01/30/13	UNLESS OTHERWISE SPECIFIED DIMENSIONS ARE IN INCHES TOLERANCES ARE: DECIMALS ANGLES .XXX ± .003 ± 1° .XX ± .005 .X ± .010	CHANDLER FILConn ARIZONA			
CHECKED:	DATE:		MIL-DTL-38999 COMPLIANT DUST CAP MASTER DRAWING			
QUALITY:	DATE:					
APPROVED:	DATE:		FSCM: 3L5N9	DWG NUMBER: FILCONN-38999-32-33	SIZE A	REV A
		SCALE: NTS	SHEET: 1	DATASET FILCONN-38999-32-33 SH01 A.DWG		PAGE 1 OF 2

TABLE I DUST CAP DIMENSIONS			
SHELL SIZE	A THREAD CLASS 2A	ØB MAX	ØC MAX
9/A	.6250-0.1P-0.3L-TS	.905	.905
11/B	.7500-0.1P-0.3L-TS	1.102	1.023
13/C	.8750-0.1P-0.3L-TS	1.220	1.220
15/C	1.0000-0.1P-0.3L-TS	1.260	1.299
17/E	1.1875-0.1P-0.3L-TS	1.457	1.457
19/F	1.2500-0.1P-0.3L-TS	1.535	1.575
21/G	1.3750-0.1P-0.3L-TS	1.653	1.732
23/H	1.5000-0.1P-0.3L-TS	1.772	1.811
25/H	1.6250-0.1P-0.3L-TS	1.929	1.968

TABLE II MATERIAL & FINISH (ALUMINUM ALLOY UNLESS OTHERWISE NOTED)	
F	Electroless Nickel -85°F to +392°F(-65°C to -200°C)
W	Olive Drab Cadmium over Electroless Nickel plate, -85°F to +347°F(-65°C to +175°C)
NT	Nickel Teflon
Z	Yellow Cadmium over Electroless Nickel Plate.
XM	Electroless Nickel over Composite (ULTEM 2300)
XW	Olive Drab Cadmium over Electroless Nickel over Composite (ULTEM 2300)
XNT	Nickel Teflon over Composite (ULTEM 2300)

TABLE III GASKET MATERIAL	
F	FLUOROSILLICONE
S	SILLICONE
N	NEOPRENE
□	NOT REQUIRED

PART NUMBER BREAKOUT:

FILCONN _____ E 38999-32 E 9 S 65
 MIL SPEC _____
 MATERIAL & FINISH _____
 SHELL SIZE _____
 GASKET MATERIAL _____
 LANYARD LENGTH _____
 (65 = 6.50")

CHANDLER		FILConn		ARIZONA	
MIL-DTL-38999 COMPLIANT DUST CAPS MASTER DRAWING					
FSCM: 3L5N9	DWG NUMBER: FILCONN-38999-32-33	SIZE A	REV A		
SHEET: 1	DATASET FILCONN-38999-32-33 SH01 A.DWG	PAGE 2	OF 2		