

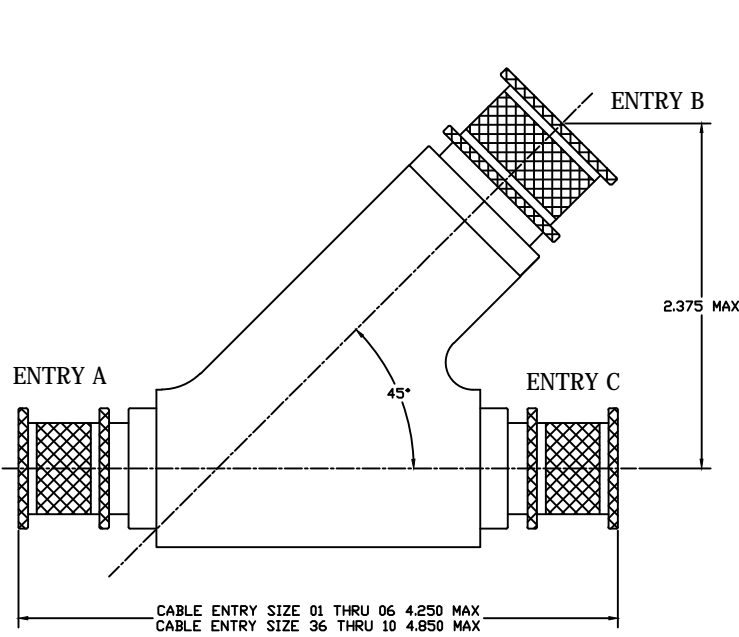
NOTES:

1. SEE TABLE I FOR MATERIAL & FINISH.
2. SEE TABLE II FOR CABLE ENTRY SIZE.
3. SPRING BANDS INCLUDED.
4. CROSSHATCH KNURL OR RIDGES AT MFG OPTION.
5. DRAWING IS SUPPORTED BY ELECTRONIC SOLID MODEL, DRAWING IS NOT FULLY DIMENSIONED.

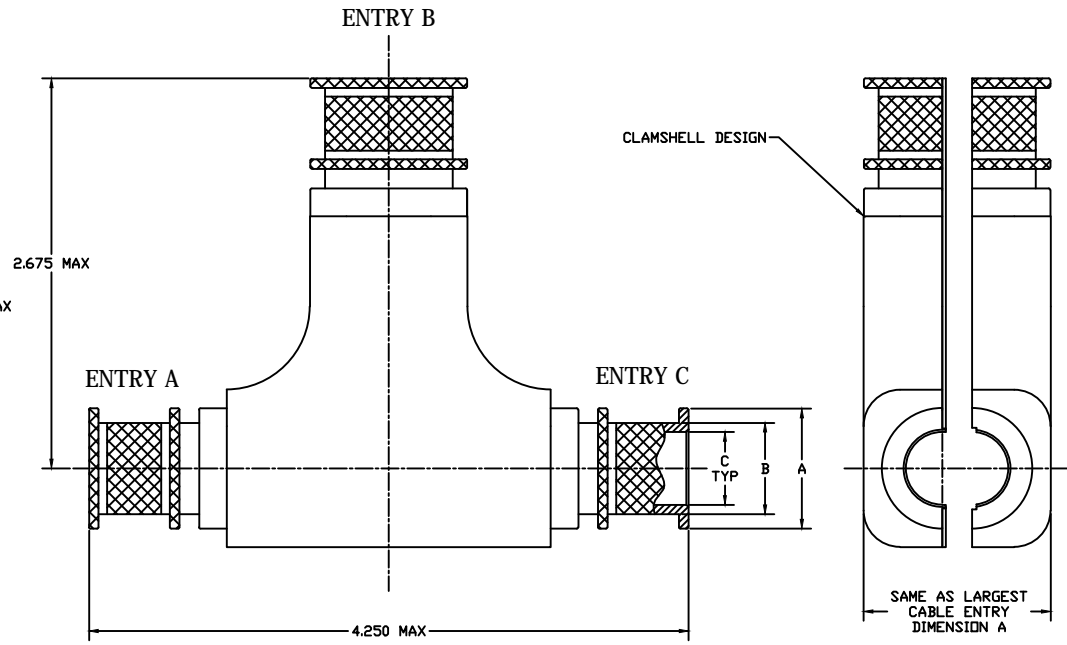
*CONNECTOR VIEWS ARE FOR REFERENCE ONLY.

REVISION HISTORY

REV	DESCRIPTION	DATE	APPROVED
-----	-------------	------	----------

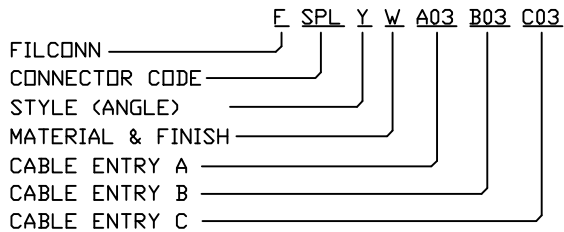


STYLE Y



STYLE T

PART NUMBER BREAKOUT:



DRAWN: D. DAVIS	DATE: 5/26/13
CHECKED:	DATE:
QUALITY:	DATE:
APPROVED:	DATE:

UNLESS OTHERWISE SPECIFIED
DIMENSIONS ARE IN INCHES
TOLERANCES ARE:

DECIMALS ANGLES

.XXX ± .003 ± 1°

.XX ± .005

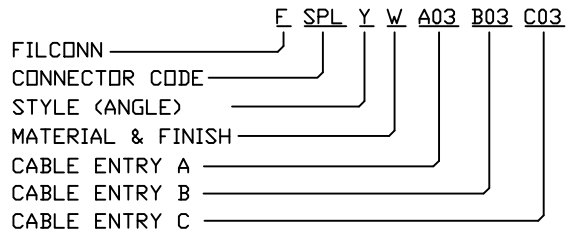
.X ± .010

CHANDLER		FILConn		ARIZONA	
FILCONN SPRING BAND CLAMSHELL MASTER DRAWING					
FSCM: 3L5N9	DWG NUMBER: FILCONN-SPLITTER	SIZE A	REV B		
SCALE: NTS	SHEET: 1	DATASET FILCONN-SPLITTER-MASTER SH01.DWG	PAGE 1	OF 2	

TABLE I MATERIAL & FINISH (ALUMINUM ALLOY UNLESS OTHERWISE NOTED)	
F	Electroless Nickel -85°F to +392°F(-65°C to -200°C)
W	Olive Drab Cadmium over Electroless Nickel plate, -85°F to +347°F(-65°C to +175°C)
NT	Nickel Teflon (Consult factory for details)
Z	Yellow Cadmium over Electroless Nickel Plate.

TABLE II CABLE ENTRY DIMENSIONS			
CABLE ENTRY DES.	A	B	C
01	.450	.250	.125
31	.512	.312	.188
02	.575	.375	.250
32	.638	.438	.312
03	.700	.500	.375
33	.762	.562	.438
04	.825	.625	.500
34	.888	.688	.562
05	.950	.750	.625
35	1.012	.812	.688
06	1.075	.875	.750
36	1.138	.938	.812
07	1.200	1.000	.875
37	1.262	1.062	.938
08	1.325	1.125	1.000
38	1.388	1.188	1.062
09	1.450	1.250	1.125
10	1.578	1.375	1.250

PART NUMBER BREAKOUT:



CHANDLER		FILConn		ARIZONA	
FILCONN SPRING BAND CLAMSHELL SPLITTER MASTER DRAWING					
FSCM: 3L5N9	DWG NUMBER: FILCONN-SPLITTER	SIZE A	REV B		
SHEET: 1	DATASET FILCONN-SPLITTER-MASTER SH01.DWG	PAGE 2	OF 2		