

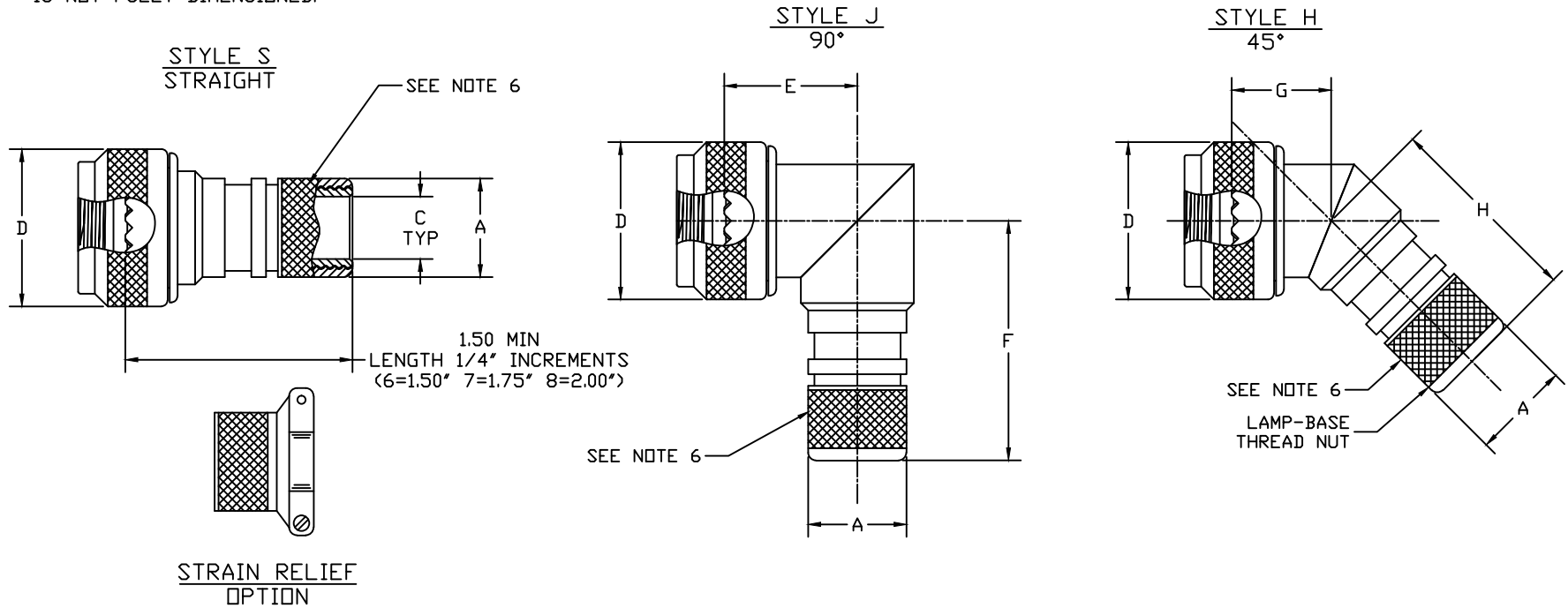
NOTES:

1. SEE TABLE I FOR CONNECTOR CODE.
2. SEE TABLE II FOR MATERIAL & FINISH.
3. SEE TABLE III FOR CABLE ENTRY SIZE.
4. SEE TABLE IV FOR SIZE & DIMENSIONS.
5. SEE TABLE V FOR MAX CABLE ENTRY.
6. CROSSHATCH KNURL OR RIDGES AT MFG OPTION.
7. CONNECTORS SHALL CONFORM TO ALL INTERMATABILITY AND APPLICABLE PERFORMANCE REQUIREMENTS AS SET FORTH BY MIL-DTL-38999, MIL-DTL-26482, MIL-DTL-5015 & MIL-DTL-85049.
8. DRAWING IS SUPPORTED BY ELECTRONIC SOLID MODEL, DRAWING IS NOT FULLY DIMENSIONED.

*CONNECTOR VIEWS ARE FOR REFERENCE ONLY.

REVISION HISTORY

REV	DESCRIPTION	DATE	APPROVED



PART NUMBER BREAKOUT:

F511-01 H S F 11 03 6 S

FILCONN-VERSION _____

CONNECTOR CODE _____

STYLE (ANGLE) _____

MATERIAL & FINISH _____

CONNECTOR SIZE _____

CABLE ENTRY _____

LENGTH (STRAIGHT ONLY) _____

S=STRAIN RELIEF (OMIT FOR NUT) _____

DRAWN: D. DAVIS	DATE: 02/09/13	UNLESS OTHERWISE SPECIFIED DIMENSIONS ARE IN INCHES TOLERANCES ARE: DECIMALS ANGLES .XXX ± .003 ± 1° .XX ± .005 .X ± .010	CHANDLER FILConn ARIZONA		
CHECKED:	DATE:		F511-01 BACKSHELLS MASTER DRAWING		
QUALITY:	DATE:				
APPROVED:	DATE:		FSCM: 3L5N9	DWG NUMBER: FILCONN-511-01	SIZE A
		SCALE: NTS	SHEET: 1	DATASET FILCONN-511-01 SH01 B.DWG	PAGE 1 OF 2

TABLE I CONNECTOR CODE	
H	MIL-C-38999 SERIES III & IV
F	MIL-C-38999 SERIES I & II
D	MIL-C-26482 I
A	MIL-C-26482 II, MIL-C-5051 (MS3400)

TABLE II MATERIAL & FINISH (ALUMINUM ALLOY UNLESS OTHERWISE NOTED)	
F	Electroless Nickel -85°F to +392°F(-65°C to -200°C)
W	Olive Drab Cadmium over Electroless Nickel plate, -85°F to +347°F(-65°C to +175°C)
NT	Nickel Teflon (Consult factory for details)
Z	Yellow Cadmium over Electroless Nickel Plate.

TABLE III CABLE ENTRY DIMENSIONS		
CABLE ENTRY DES.	A	C
01	.450	.125
31	.453	.188
02	.515	.250
32	.577	.312
03	.640	.375
33	.703	.438
04	.765	.500
34	.827	.562
05	.890	.625
35	.953	.688
06	1.015	.750
36	1.077	.812
07	1.140	.875
37	1.203	.938
08	1.265	1.000
38	1.327	1.062
09	1.390	1.125
10	1.515	1.250

TABLE IV SHELL SIZE & DIMENSIONS						
CONN. CODE F,D & A SHELL SIZE	CONN. CODE H SHELL SIZE	D	E MAX	F MAX	G MAX	H MAX
8		.65	.639	1.155	.531	1.045
	9/A	.77	.639	1.155	.531	1.045
10		.77	.664	1.225	.594	1.075
	11/B	.82	.664	1.225	.594	1.075
12		.89	.688	1.285	.618	1.097
	13/C	.94	.688	1.285	.618	1.097
14		1.02	.705	1.345	.656	1.125
	15/D	1.07	.705	1.345	.656	1.125
16		1.15	.732	1.405	.688	1.145
	17/E	1.21	.732	1.405	.688	1.145
18		1.23	.803	1.455	.748	1.165
	19/F	1.36	.803	1.455	.748	1.165
20		1.36	1.031	1.525	.773	1.195
	21/G	1.48	1.031	1.525	.773	1.195
22		1.48	1.156	1.575	.800	1.215
	23/H	1.60	1.156	1.575	.800	1.215
24		1.60	1.219	1.645	.823	1.245
	25/J	1.70	1.219	1.645	.823	1.245

TABLE V MAX CABLE ENTRY		
CONN. CODE F,D & A SHELL SIZE	CONN. CODE H SHELL SIZE	MAX CABLE ENTRY
8		02
	9/A	31
10		03
	11/B	32
12		04
	13/C	33
14		05
	15/D	34
16		06
	17/E	35
18		07
	19/F	36
20		08
	21/G	37
22		09
	23/H	38
24		10
	25/J	38

PART NUMBER BREAKOUT:

F511-01 H S F 11 03 6 S

FILCONN-VERSION _____
CONNECTOR CODE _____
STYLE (ANGLE) _____
MATERIAL & FINISH _____
CONNECTOR SIZE _____
CABLE ENTRY _____
LENGTH (STRAIGHT ONLY) _____
S=STRAIN RELIEF (OMIT FOR NUT) _____

CHANDLER		FILConn		ARIZONA	
F511-01 BACKSHELLS MASTER DRAWING					
FSCM: 3L5N9	DWG NUMBER: FILCONN-511-01	SIZE A	REV B		
SHEET: 1	DATASET FILCONN-511-01 SH01 B.DWG	PAGE 2	OF 2		