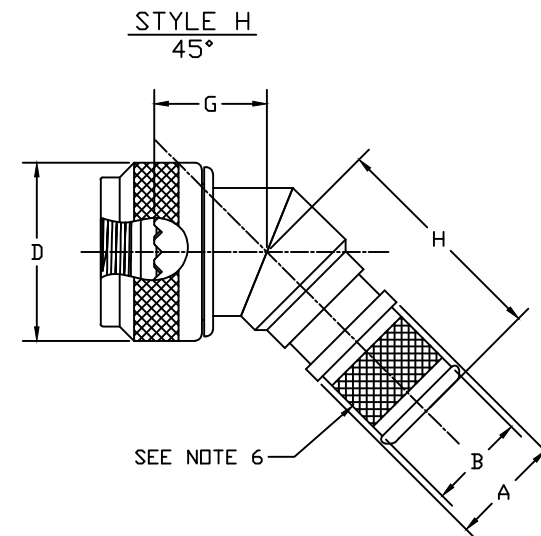
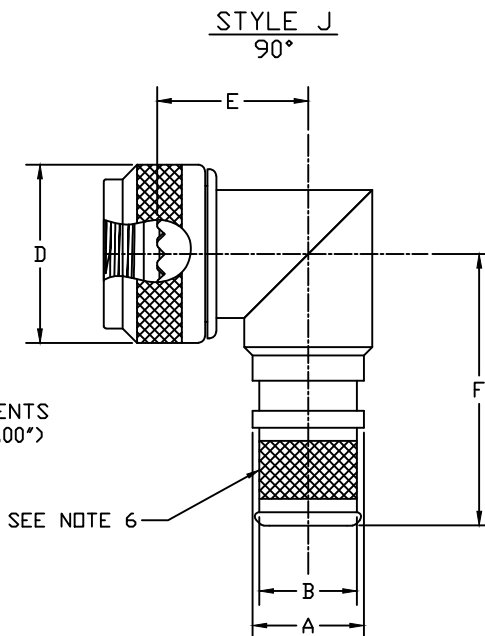
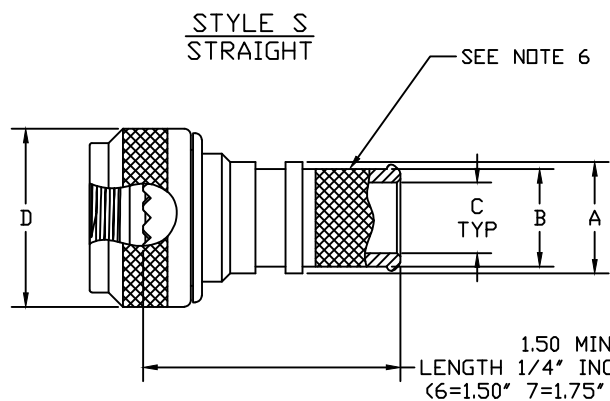


NOTES:

1. SEE TABLE I FOR CONNECTOR CODE.
2. SEE TABLE II FOR MATERIAL & FINISH.
3. SEE TABLE III FOR CABLE ENTRY SIZE.
4. SEE TABLE IV FOR SIZE & DIMENSIONS.
5. SEE TABLE V FOR MAX CABLE ENTRY.
6. CROSSHATCH KNURL OR RIDGES AT MFG OPTION.
7. CONNECTORS SHALL CONFORM TO ALL INTERMATABILITY AND APPLICABLE PERFORMANCE REQUIREMENTS AS SET FORTH BY MIL-DTL-38999, MIL-DTL-26482, MIL-DTL-5015 & MIL-DTL-85049.
8. DRAWING IS SUPPORTED BY ELECTRONIC SOLID MODEL, DRAWING IS NOT FULLY DIMENSIONED.

*CONNECTOR VIEWS ARE FOR REFERENCE ONLY.

REVISION HISTORY			
REV	DESCRIPTION	DATE	APPROVED



PART NUMBER BREAKOUT:

F540-30 H S E 11 03 6

FILCONN-VERSION _____
 CONNECTOR CODE _____
 STYLE (ANGLE) _____
 MATERIAL & FINISH _____
 CONNECTOR SIZE _____
 CABLE ENTRY _____
 LENGTH (STRAIGHT ONLY) _____

DRAWN: D. DAVIS	DATE: 02/02/13	UNLESS OTHERWISE SPECIFIED DIMENSIONS ARE IN INCHES TOLERANCES ARE: DECIMALS ANGLES .XXX ± .003 ± 1° .XX ± .005 .X ± .010	CHANDLER FILConn ARIZONA			
CHECKED:	DATE:		F540-30 BACKSHELLS MASTER DRAWING			
QUALITY:	DATE:					
APPROVED:	DATE:		SCALE: NTS	FSCM: 3L5N9	DWG NUMBER: FILCONN-540-30	SIZE A
			SHEET: 1	DATASET FILCONN-540-30 SH01 D.DWG		PAGE 1 OF 2

TABLE I CONNECTOR CODE	
H	MIL-C-38999 SERIES III & IV
F	MIL-C-38999 SERIES I & II
D	MIL-C-26482 I
A	MIL-C-26482 II, MIL-C-5051 (MS3400)

TABLE II MATERIAL & FINISH (ALUMINUM ALLOY UNLESS OTHERWISE NOTED)	
F	Electroless Nickel -85°F to +392°F(-65°C to -200°C)
W	Olive Drab Cadmium over Electroless Nickel plate, -85°F to +347°F(-65°C to +175°C)
NT	Nickel Teflon (Consult factory for details)
Z	Yellow Cadmium over Electroless Nickel Plate.

TABLE III CABLE ENTRY DIMENSIONS			
CABLE ENTRY DES.	A	B	C
01	.450	.250	.125
31	.374	.312	.188
02	.437	.375	.250
32	.500	.438	.312
03	.562	.500	.375
33	.624	.562	.438
04	.687	.625	.500
34	.750	.688	.562
05	.812	.750	.625
35	.874	.812	.688
06	.937	.875	.750
36	1.000	.938	.812
07	1.062	1.000	.875
37	1.124	1.062	.938
08	1.187	1.125	1.000
38	1.250	1.188	1.062
09	1.312	1.250	1.125
10	1.437	1.375	1.250

TABLE IV SHELL SIZE & DIMENSIONS							
CONN. CODE F,D & A SHELL SIZE	CONN. CODE H SHELL SIZE	D	E MAX	F MAX	G MAX	H MAX	
8		.65	.639	1.110	.531	.940	
	9/A	.77	.639	1.110	.531	.940	
10		.77	.664	1.140	.594	1.000	
	11/B	.82	.664	1.140	.594	1.000	
12		.89	.688	1.160	.618	1.050	
	13/C	.94	.688	1.160	.618	1.050	
14		1.02	.705	1.190	.656	1.090	
	15/D	1.07	.705	1.190	.656	1.090	
16		1.15	.732	1.210	.688	1.150	
	17/E	1.21	.732	1.210	.688	1.150	
18		1.23	.803	1.221	.748	1.190	
	19/F	1.36	.803	1.221	.748	1.190	
20		1.36	1.031	1.281	.773	1.250	
	21/G	1.48	1.031	1.281	.773	1.250	
22		1.48	1.156	1.351	.800	1.320	
	23/H	1.60	1.156	1.351	.800	1.320	
24		1.60	1.219	1.410	.823	1.380	
	25/J	1.70	1.219	1.410	.823	1.380	

TABLE V MAX CABLE ENTRY		
CONN. CODE F,D & A SHELL SIZE	CONN. CODE H SHELL SIZE	MAX CABLE ENTRY
8		02
	9/A	31
10		03
	11/B	32
12		04
	13/C	33
14		05
	15/D	34
16		06
	17/E	35
18		07
	19/F	36
20		08
	21/G	37
22		09
	23/H	38
24		10
	25/J	38

PART NUMBER BREAKOUT:

F540-30 H S E 11 03 6

FILCONN-VERSION _____

CONNECTOR CODE _____

STYLE (ANGLE) _____

MATERIAL & FINISH _____

CONNECTOR SIZE _____

CABLE ENTRY _____

LENGTH (STRAIGHT ONLY) _____

CHANDLER		FILConn		ARIZONA	
F540-30 BACKSHELLS MASTER DRAWING					
FSCM: 3L5N9	DWG NUMBER: FILCONN-540-30		SIZE A	REV D	
SHEET: 1	DATASET FILCONN-540-30 SH01 D.DWG		PAGE 2	OF 2	