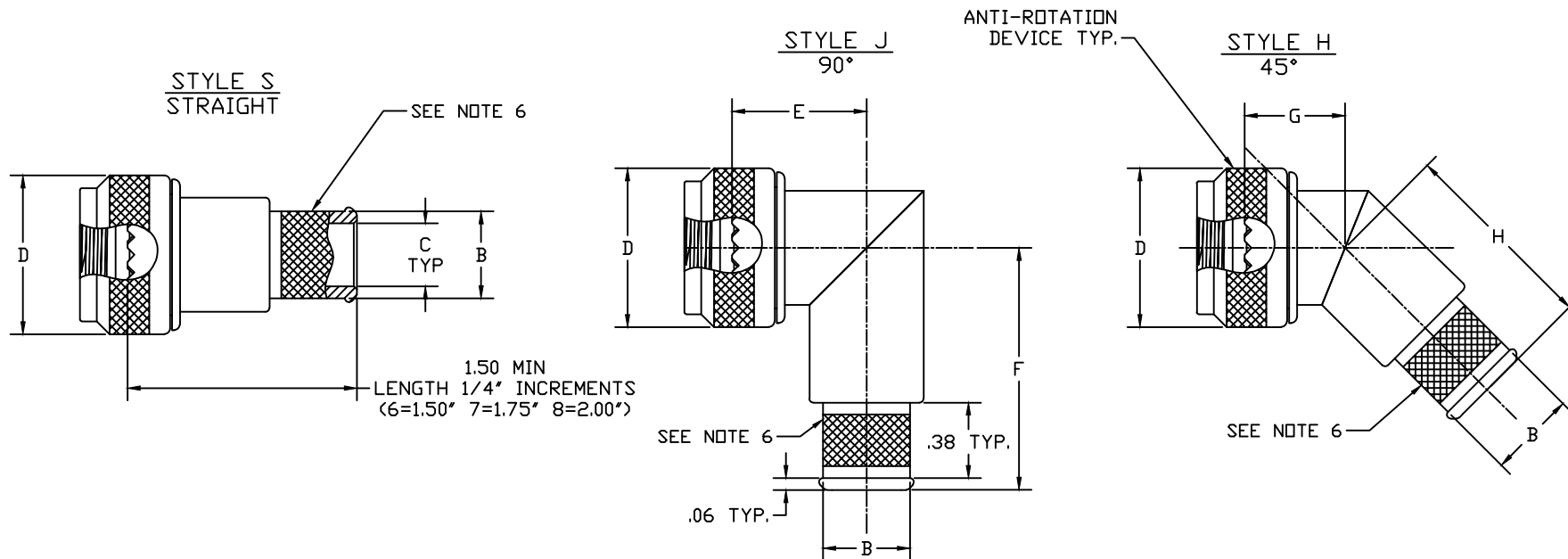


NOTES:

1. SEE TABLE I FOR CONNECTOR CODE.
2. SEE TABLE II FOR MATERIAL & FINISH.
3. SEE TABLE III FOR CABLE ENTRY SIZE.
4. SEE TABLE IV FOR SIZE & DIMENSIONS.
5. SEE TABLE V FOR MAX CABLE ENTRY.
6. CROSSHATCH KNURL OR RIDGES AT MFG OPTION.
7. CONNECTORS SHALL CONFORM TO ALL INTERMATABILITY AND APPLICABLE PERFORMANCE REQUIREMENTS AS SET FORTH BY MIL-DTL-38999, MIL-DTL-26482, MIL-DTL-5015 & MIL-DTL-85049.
8. DRAWING IS SUPPORTED BY ELECTRONIC SOLID MODEL, DRAWING IS NOT FULLY DIMENSIONED.

*CONNECTOR VIEWS ARE FOR REFERENCE ONLY.

REVISION HISTORY			
REV	DESCRIPTION	DATE	APPROVED



PART NUMBER BREAKOUT:

F540-75 H S E 11 03 6

FILCONN-VERSION _____
 CONNECTOR CODE _____
 STYLE (ANGLE) _____
 MATERIAL & FINISH _____
 CONNECTOR SIZE _____
 CABLE ENTRY _____
 LENGTH (STRAIGHT ONLY) _____

DRAWN: D. DAVIS	DATE: 07/22/13	UNLESS OTHERWISE SPECIFIED DIMENSIONS ARE IN INCHES TOLERANCES ARE: DECIMALS ANGLES .XXX ± .003 ± 1° .XX ± .005 .X ± .010	CHANDLER FILConn ARIZONA			
CHECKED:	DATE:		F540-75 SELF-LOCKING BACKSHELLS MASTER DRAWING			
QUALITY:	DATE:					
APPROVED:	DATE:		SCALE: NTS	FSCM: 3L5N9	DWG NUMBER: FILCONN-540-75	SIZE A
			SHEET: 1	DATASET FILCONN-540-75 SH01 B.DWG	PAGE 1	OF 2

TABLE I CONNECTOR CODE	
H	MIL-C-38999 SERIES III & IV
F	MIL-C-38999 SERIES I & II
D	MIL-C-26482 I
A	MIL-C-26482 II, MIL-C-5051 (MS3400)

TABLE II MATERIAL & FINISH (ALUMINUM ALLOY UNLESS OTHERWISE NOTED)	
F	Electroless Nickel -85°F to +392°F(-65°C to -200°C)
W	Olive Drab Cadmium over Electroless Nickel plate, -85°F to +347°F(-65°C to +175°C)
NT	Nickel Teflon (Consult factory for details)
Z	Yellow Cadmium over Electroless Nickel Plate.
ZNU	Zinc-Nickel with Black Chromate.

TABLE III CABLE ENTRY DIMENSIONS		
CABLE ENTRY DES.	B	C
01	.250	.125
31	.312	.188
02	.375	.250
32	.438	.312
03	.500	.375
33	.562	.438
04	.625	.500
34	.688	.562
05	.750	.625
35	.812	.688
06	.875	.750
36	.938	.812
07	1.000	.875
37	1.062	.938
08	1.125	1.000
38	1.188	1.062
09	1.250	1.125
10	1.375	1.250

TABLE IV SHELL SIZE & DIMENSIONS						
CONN. CODE F, D & A SHELL SIZE	CONN. CODE H SHELL SIZE	D	E MAX	F MAX	G MAX	H MAX
8		.65	.906	1.000	.795	.890
	9/A	.77	.906	1.000	.795	.890
10		.77	.966	1.060	.820	.920
	11/B	.82	.966	1.060	.820	.920
12		.89	1.026	1.120	.844	.940
	13/C	.94	1.026	1.120	.844	.940
14		1.02	1.076	1.190	.861	.970
	15/D	1.07	1.076	1.190	.861	.970
16		1.15	1.136	1.250	.888	.990
	17/E	1.21	1.136	1.250	.888	.990
18		1.23	1.176	1.270	.904	1.000
	19/F	1.36	1.176	1.270	.904	1.000
20		1.36	1.236	1.330	.929	1.020
	21/G	1.48	1.236	1.330	.929	1.020
22		1.48	1.296	1.410	.956	1.060
	23/H	1.60	1.296	1.410	.956	1.060
24		1.60	1.356	1.480	.979	1.090
	25/J	1.70	1.356	1.480	.979	1.090

PART NUMBER BREAKOUT:

F540-75 H S E 11 03 6
 FILCONN-VERSION _____
 CONNECTOR CODE _____
 STYLE (ANGLE) _____
 MATERIAL & FINISH _____
 CONNECTOR SIZE _____
 CABLE ENTRY _____
 LENGTH (STRAIGHT ONLY) _____

CHANDLER		FILConn		ARIZONA	
F540-75 SELF-LOCKING BACKSHELLS MASTER DRAWING					
FSCM: 3LSN9	DWG NUMBER: FILCONN-540-75	SIZE A	REV B		
SHEET: 1	DATASET FILCONN-540-75 SH01 B.DWG	PAGE 2	OF 2		