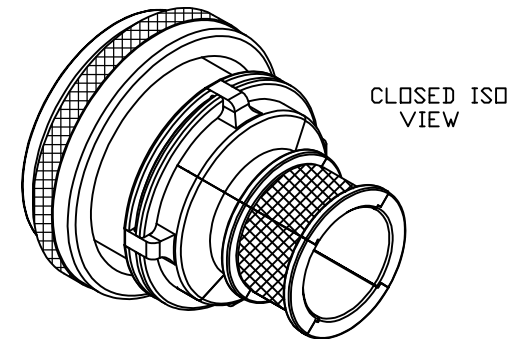
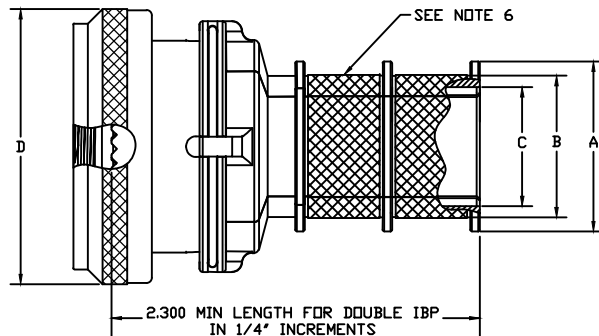
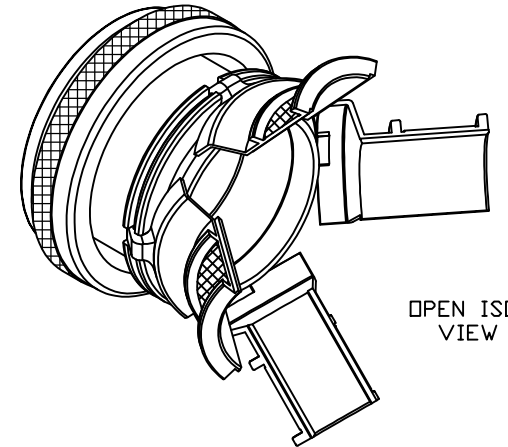
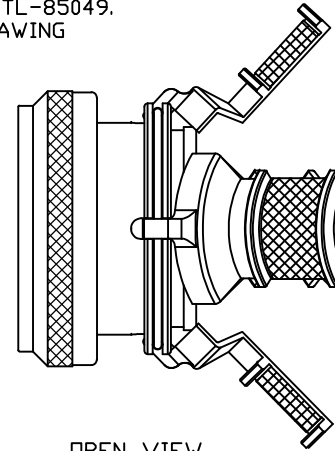
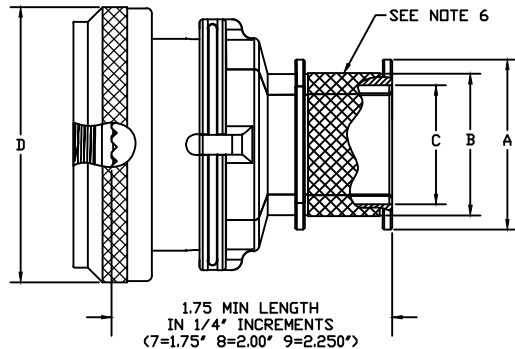


NOTES:

1. SEE TABLE I FOR CONNECTOR CODE.
2. SEE TABLE II FOR MATERIAL & FINISH.
3. SEE TABLE III FOR NUT DIMENSIONS.
4. SEE TABLE IV FOR CABLE ENTRY & PETAL SIZE.
5. SPRING BAND INCLUDED.
6. CROSSHATCH KNURL OR RIDGES AT MFG OPTION.
7. CONNECTORS SHALL CONFORM TO ALL INTERMATABILITY AND APPLICABLE PERFORMANCE REQUIREMENTS AS SET FORTH BY MIL-DTL-38999, MLI-DTL-26482, MIL-DTL-5015 & MIL-DTL-85049.
8. DRAWING IS SUPPORTED BY ELECTRONIC SOLID MODEL, DRAWING IS NOT FULLY DIMENSIONED.

REVISION HISTORY			
REV	DESCRIPTION	DATE	APPROVED



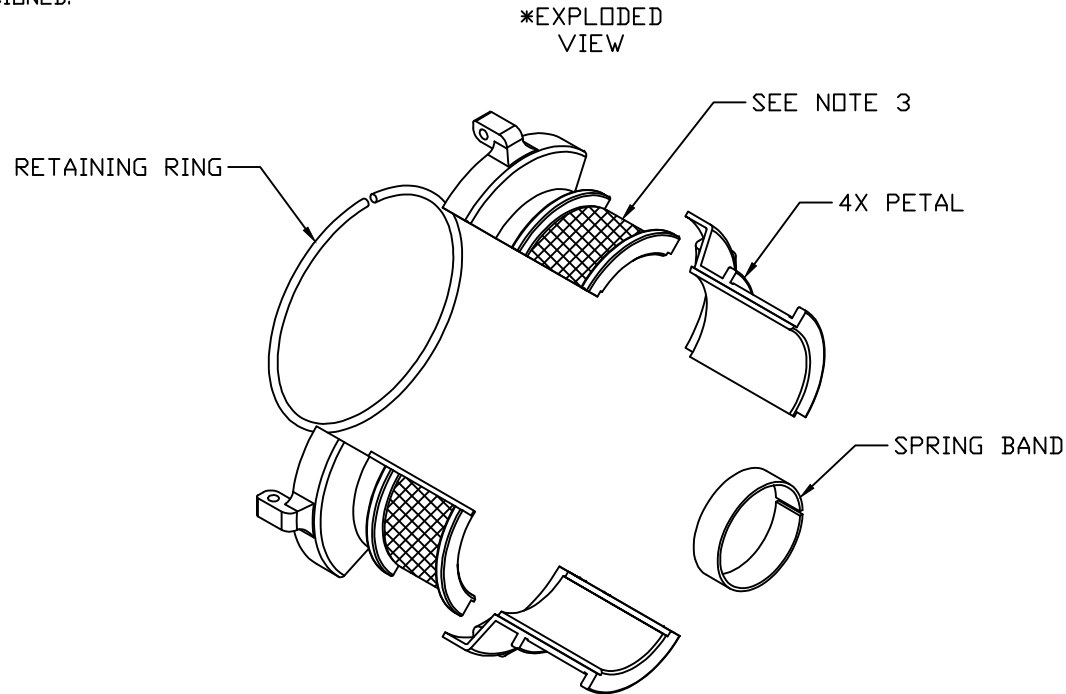
PART NUMBER BREAKOUT:

FILCONN _____ E D FL H F 11 03-5
 DOUBLE IBP _____
 (OMIT IF NOT NEEDED)
 FLOWER _____
 CONNECTOR CODE _____
 MATERIAL & FINISH _____
 CONNECTOR SIZE _____
 CABLE ENTRY _____
 LENGTH _____

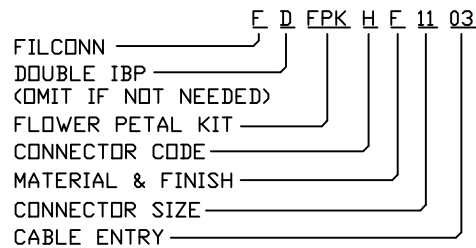
DRAWN: D. DAVIS	DATE: 10/12/13	UNLESS OTHERWISE SPECIFIED DIMENSIONS ARE IN INCHES TOLERANCES ARE: DECIMALS ANGLES .XXX ± .003 ± 1° .XX ± .005 .X ± .010	CHANDLER FILConn ARIZONA		
CHECKED:	DATE:		FILCONN SPRING BAND FLOWER BACKSHELLS MASTER DRAWING		
QUALITY:	DATE:		FSCM: 3L5N9	DWG NUMBER: FILCONN-FLOWER SPRING BAND	SIZE A
APPROVED:	DATE:		SCALE: NTS	SHEET: 1	DATASET FILCONN-FLOWER-SPRING-BAND SHOI B.DWG PAGE 1 OF 3

NOTES:

1. SEE TABLE I FOR CONNECTOR CODE.
2. SEE TABLE II FOR MATERIAL & FINISH.
3. SEE TABLE III FOR NUT DIMENSIONS.
4. SEE TABLE IV FOR CABLE ENTRY & PETAL SIZE.
5. SPRING BAND INCLUDED.
6. CROSSHATCH KNURL OR RIDGES AT MFG OPTION.
7. CONNECTORS SHALL CONFORM TO ALL INTERMATABILITY AND APPLICABLE PERFORMANCE REQUIREMENTS AS SET FORTH BY MIL-DTL-38999, MLI-DTL-26482, MIL-DTL-5015 & MIL-DTL-85049.
8. DRAWING IS SUPPORTED BY ELECTRONIC SOLID MODEL, DRAWING IS NOT FULLY DIMENSIONED.



**PETAL KIT
PART NUMBER BREAKOUT:**



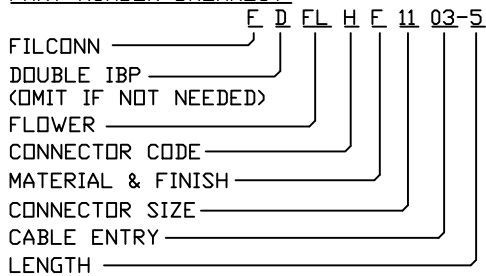
ALL PETAL KITS ARE SUPPLIED WITH 4 PETALS, SPRING BAND, AND RETAINING RING

CHANDLER FILConn ARIZONA			
FILCONN SPRING BAND FLOWER BACKSHELLS MASTER DRAWING			
FSCM: 3L5N9	DWG NUMBER: FILCONN-FLOWER SPRING BAND	SIZE A	REV B
SHEET: 1	DATASET FILCONN-FLOWER-SPRING-BAND SH01 B.DWG	PAGE 2	OF 3

TABLE I CONNECTOR CODE	
H	MIL-C-38999 SERIES III & IV
F	MIL-C-38999 SERIES I & II
D	MIL-C-26482 I
A	MIL-C-26482 II, MIL-C-5051 (MS3400)

TABLE II MATERIAL & FINISH (ALUMINUM ALLOY UNLESS OTHERWISE NOTED)	
F	Electroless Nickel -85°F to +392°F(-65°C to -200°C)
W	Olive Drab Cadmium over Electroless Nickel plate, -85°F to +347°F(-65°C to +175°C)
NT	Nickel Teflon (Consult factory for details)
Z	Yellow Cadmium over Electroless Nickel Plate.

PART NUMBER BREAKOUT:



PETAL KIT

PART NUMBER BREAKOUT:

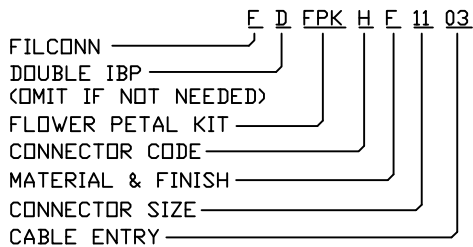


TABLE III NUT DIMENSIONS		
CONN. CODE F,D & A SHELL SIZE	CONN. CODE H SHELL SIZE	D
8		.65
	9/A	.77
10		.77
	11/B	.82
12		.89
	13/C	.94
14		1.02
	15/D	1.07
16		1.15
	17/E	1.21
18		1.23
	19/F	1.36
20		1.36
	21/G	1.48
22		1.48
	23/H	1.60
24		1.60
	25/J	1.70

TABLE IV CABLE ENTRY PETAL SIZE OPTIONS					
CONN. CODE F,D & A SHELL SIZE	CONN. CODE H SHELL SIZE	ENTRY SIZE	A	B	C
8	A (9)	1	.430	.125	.250
		2	.555	.250	.375
10	B (11)	1	.430	.125	.250
		2	.555	.250	.375
		3	.680	.375	.500
12	C (13)	2	.555	.250	.375
		3	.680	.375	.500
		4	.805	.500	.625
		3	.680	.375	.500
14	D (15)	4	.805	.500	.625
		5	.930	.625	.750
		3	.680	.375	.500
16	E (17)	4	.805	.500	.625
		5	.930	.625	.750
		6	1.055	.750	.875
		4	.805	.500	.625
18	F (19)	5	.930	.625	.750
		6	1.055	.750	.875
		7	1.180	.875	1.000
		5	0.930	.625	.750
20	G (21)	6	1.055	.750	.875
		7	1.180	.875	1.000
		8	1.305	1.000	1.125
22	H (23)	6	1.055	.750	.875
		7	1.180	.875	1.000
		8	1.305	1.000	1.125
24	J (25)	9	1.430	1.125	1.250
		7	1.180	.875	1.000
		8	1.305	1.000	1.125
		9	1.430	1.125	1.250
		10	1.555	1.250	1.375

CHANDLER		FILConn		ARIZONA	
FILCONN SPRING BAND FLOWER BACKSHELLS MASTER DRAWING					
FSCM: 3LSN9	DWG NUMBER: FILCONN-FLOWER SPRING BAND	SIZE A	REV B		
SHEET: 1	DATASET FILCONN-FLOWER-SPRING-BAND SH01 B.DWG	PAGE 3	OF 3		